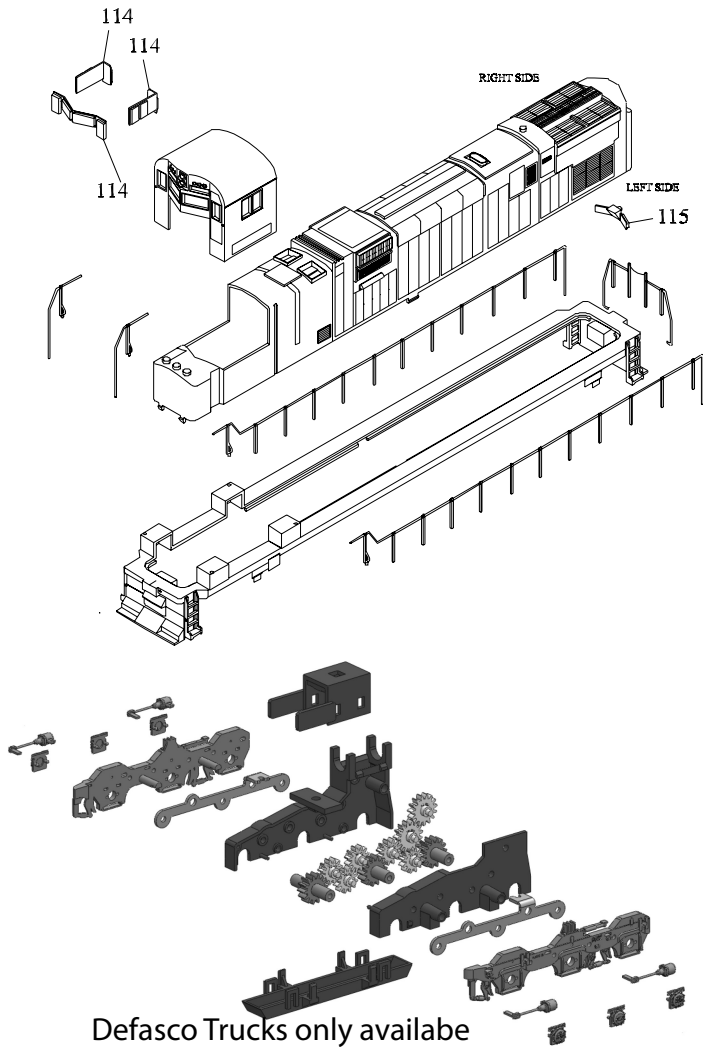
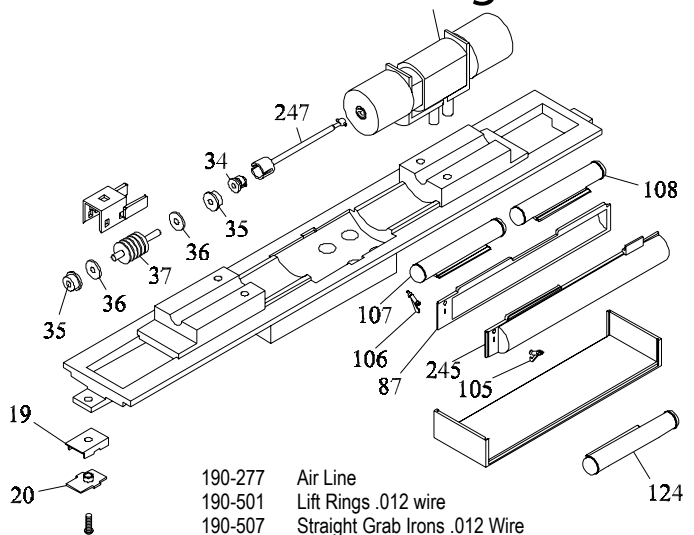


Alco C-630M drawings



Defasco Trucks only available as a complete assembly



- 190-277 Air Line
- 190-501 Lift Rings .012 wire
- 190-507 Straight Grab Irons .012 Wire
- 190-509 Drop Grab .012 Wire
- 190-512 Small u shaped lift rings
- 190-513 medium U shaped Lift Rings
- 190-514 Coupler Lift Bar .012 Wire
- 190-516 Alco Corner Grabs
- 190-517 Single Arm Windshield Wiper Set Left and Right
- 190-518 Double Arm Windshield Wiper Set Left and Right
- 190-535 Sunshade Pair Painted and packaged seperately
- 190-547 Sinclair Antenna
- 190-574 Sand filler
- 190-575 DIESEL MU'S 3 HOSE W/BACKET
- 190-580 Headlight housing
- 190-581 Ditch Light
- 190-582 CP Front Pilot
- 190-583 CP 3-Chime Horn
- 190-584 CN 3 Chime Horn
- 190-585 BC 5 Chime Horn
- 190-586 CN snow Plow
- 190-587 BC Snow Plow
- 190-588 Bell and Bracket
- 190-590 Small Sinclair antenna
- 691-19 Coupler Box
- 691-20 Coupler box lid
- 691-32 Flywheel insert
- 691-34 Worm universal ball
- 691-35 Worm Bearing
- 691-36 Thrust washer
- 691-114 Cab window set
- 691-246 Handrail set
- 691-247 Century Driveshaft
- 691-550 AFFA Motor (AF673) with Flywheels and Motor Mounts
- 691-555 C-628/C-630 Diecast Frame
- 691-556 C-630 Updated Body
- 691-581 C-630M Deck Both Full Pilots
- 691-582 C-630M Full Pilot-Half Pilot
- 691-588 C-630M Single Headlight Body
- 691-589 C-630M Cab
- 691-590 Dofasco Truck Assembly
- 691-591 Fuel Tank and Air Tank Assembly
- 691-592 Journal Sprue
- 691-12000 Large U shaped lift rings
- 691-12001 Century Radiator Walkway
- 691-12005 Pilot drop step
- 691-12010 Coupler bolster casting
- 691-12012 Cab Wind deflector (PAIR)
- 691-12013 Century Brake Housing for brake wheel
- 691-12014 Century Brake Wheel
- 691-12018 Ground Light
- 691-12019 Brake Chain Guide
- 691-12020 Air Filter
- 691-12022 Air Intake Grill
- 691-12023 Lens Insert for Ditch light
- 691-12024 Center vent cover
- 691-12025 drop step
- 691-12026 Grill Insert top
- 691-12027 Grill Insert bottom

Front light board for Alco Century ID #A24 is in the middle of the board
Headlight #3 and #4
Ditch light and Low headlight #1 and #6

LED's are + and - sensitive
Switch wires if LED does not light

Headlight

Pilot Ditch Lights
Ditch Lights on Nose

Front headlight board for Alco Century ID #A24 is in the middle of the board
Headlight #3 and #4

LED's are + and - sensitive
Switch wires if LED does not light

Headlight

